

CRAFTMADE

Ophelia - OA52AWD

52" Ceiling Fan (Blades Sold Separately)

Finish: Antique White Distressed



Blades Sold Separately

Adorn your interior with the elegant and intricate Ophelia ceiling fan. Accented with vine and scroll accents amidst detailed edging and more, this traditional stunner comes in your choice of Aged Bronze/Vintage Madera or Antique White Distressed finishes. The Ophelia can be customized with multiple blade and light kit options. Blade options include Custom-carved, Premier Wood, and Traditional Solid Wood.

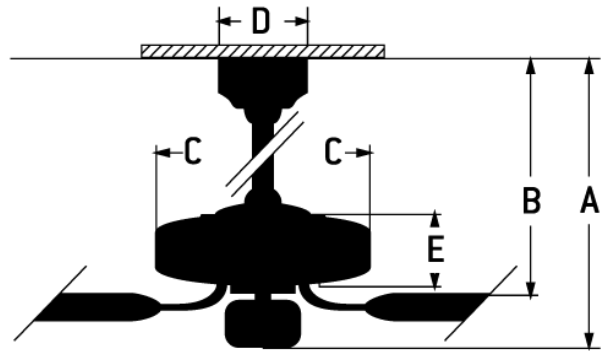
- Heavy-Duty, 3-Speed Reversible Motor
- 3" and 6" Downrods (Included)
- Blades Sold Separately
- Dual Mount (Flat or angled ceiling)

Specs

Blade Sweep Opt (in.)	44, 52, 54, 56
Blades	5
Blade Pitch (°)	14
Motor Size (MM)	188x15
Amps at High Speed	0.56
Watts (Hi Speed)	65.70
Energy Guide Watts	47
Energy Guide CFM	5098
Energy Guide CFM_Watts	78
High Speed (CFM)	5097.99
Low Speed (CFM)	1761.15
Shipping Weight (lbs.)	30.86
Carton Size (CU FT)	2.32
Blade Options	Type1, Type 2
Compatible Control Types	OA-IC52-AGVM Remote & Wall Controls
Light Kit Options	Bowl Light Kits, Universal Light Kits, or Customize Your Own (Universal Fitters and 2 1/4" Glass)

Dimensions


A:	17.59
A: (2" Downrod) -	14
B:	8
B: (2" downrod)	11
C:	14
D:	6.25
E:	7.70
F: w/o Light Kit -	7.70
Downrod Length (in.)	6
2" Downrod (in.)	2



Downloads

Ophelia - OA52AWD

 [PDF Tear Sheet](#)

 [Installation Guide](#)

 [Energy Guide](#)

ENERGY INFORMATION at High Speed		
Airflow	Electricity Use	Airflow Efficiency
5098	66	78
Cubic Feet Per Minute	Watts (excludes lights)	Cubic Feet Per Minute Per Watt
Compare: 49" to 60" ceiling fans have airflow efficiencies ranging from approximately 51 to 176 cubic feet per minute per watt at high speed.		
Money-Saving Tip: Turn off fan when leaving room		