

CRAFTMADE

CXL - CXL52W

52" Ceiling Fan (Blades Sold Separately)

Finish: White



Our workhorse fan. Pick your style - Traditional, Transitional or Modern. The CXL ceiling fan fits anywhere, any place and is customizable in 10 finishes. Whether you choose a 44", 52", 54" or 56" ceiling fan, each one comes ready to roll with a heavy-duty 3-speed reversible motor and remote and wall controls are available. The CXL can be customized with multiple blade and light kit options (sold separately).

- Heavy-Duty, 3-Speed Reversible Motor
- 3" and 6" Downrods (Included)
- Blades Sold Separately
- Dual Mount (Flat or angled ceiling)

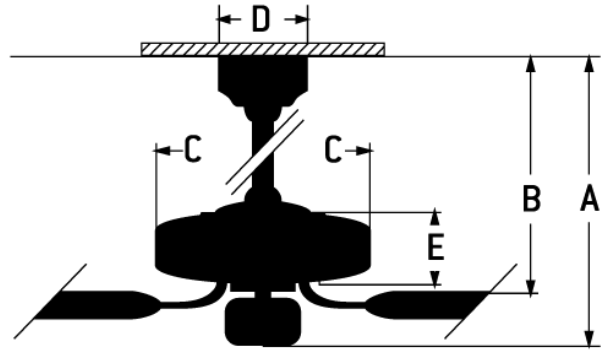
Specs

Blade Sweep Opt (in.)	44, 52, 54, 56
Blades	5
Blade Pitch (°)	14
Motor Size (MM)	188x15
Amps at High Speed	0.58
Watts (Hi Speed)	68.80
Energy Guide CFM	5415
Energy Guide CFM_Watts	79
High Speed (CFM)	5415.14
Low Speed (CFM)	2241.40
Shipping Weight (lbs.)	17.90
Carton Size (CU FT)	1.65
Blade Options	Type1, Type 2
Compatible Control Types	CXL-ICS-AG Remote & Wall Controls
Light Kit Options	Bowl Light Kits, Universal Light Kits, or Customize Your Own (Universal Fitters and 2 1/4" Glass)

Dimensions

A: 15.50

A: (2" Downrod) -	12.25
B:	8.50
B: (2" downrod)	13.50
C:	11.65
D:	5.12
E:	6.60
F: w/o Light Kit -	6.60
Downrod Length (in.)	6
2" Downrod (in.)	3



Downloads

CXL - CXL52W

 [PDF Tear Sheet](#)

 [Installation Guide](#)

 [Energy Guide](#)

ENERGY INFORMATION at High Speed		
Airflow	Electricity Use	Airflow Efficiency
5415	69	79
Cubic Feet Per Minute	Watts (excludes lights)	Cubic Feet Per Minute Per Watt
Compare: 49" to 60" ceiling fans have airflow efficiencies ranging from approximately 51 to 176 cubic feet per minute per watt at high speed.		
Money-Saving Tip: Turn off fan when leaving room		