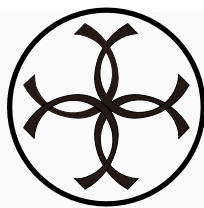


CRYST RAMA



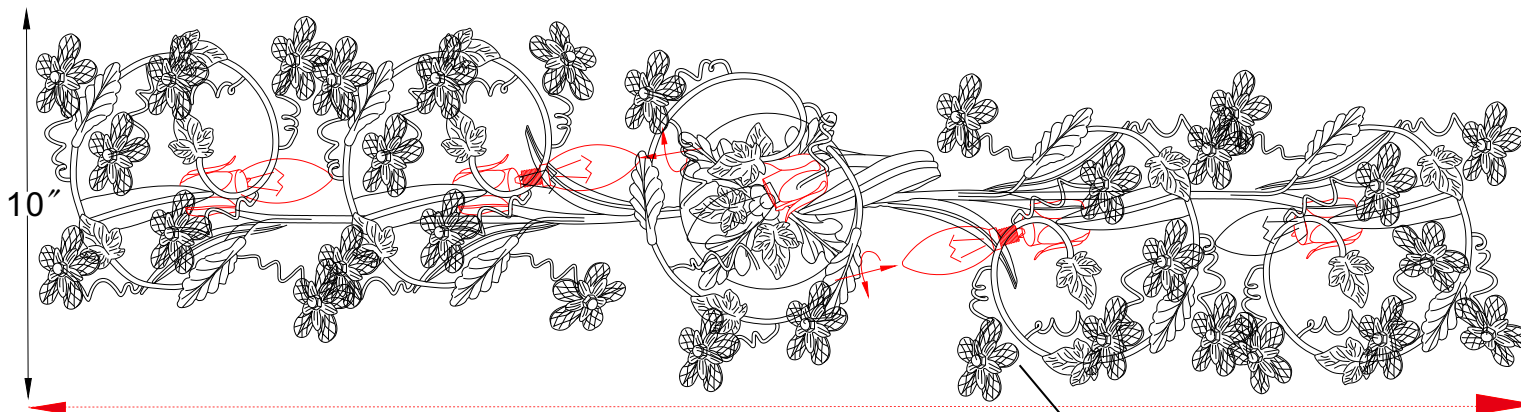
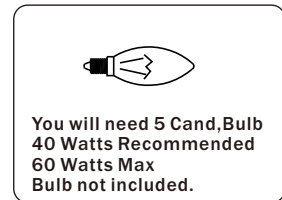
1958

95 Cantiague Rock Road, Westbury NY 11590
 ph:516.931.9090 fax:516.931.1254
 info@crystorama.com . www.crystorama.com

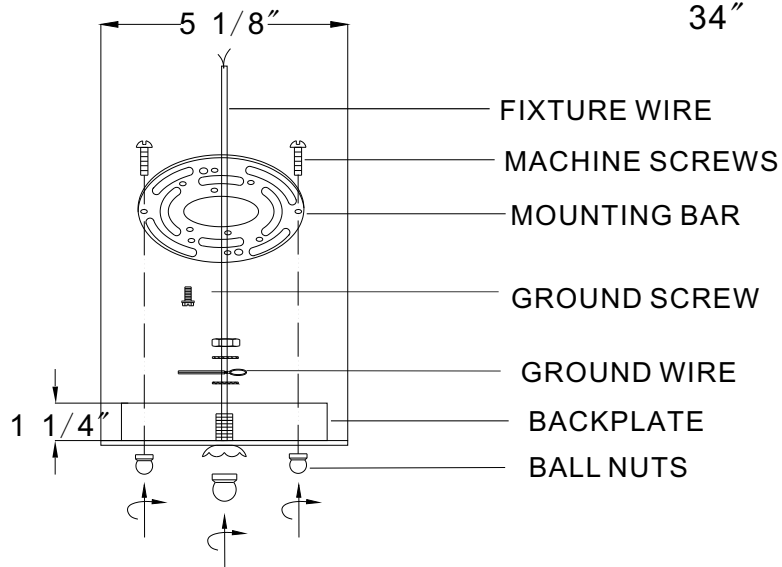
MODEL#:5307-AW ASSEMBLY AND DRESSING INSTRUCTIONS



All electrical components must be installed by a licensed electrician in accordance with the National Electric Code and the appropriate local electrical codes.

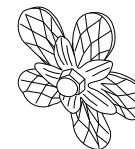


34"



- FIXTURE WIRE
- MACHINE SCREWS
- MOUNTING BAR
- GROUND SCREW
- GROUND WIRE
- BACKPLATE
- BALL NUTS

CRYSTAL A=



x 18 sets

2014/12