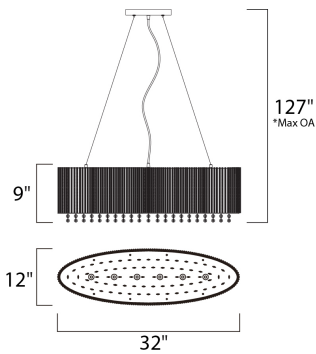




PRODUCT DESCRIPTION

The Spiral Collection features curled metal tubing that shines like diamonds radiating in the sun. Strands of high quality K9 crystal beads add to the opulence of the fixture offering a distinct sparkle visible whether off or on.



*max overall height

MEASUREMENTS

- DIMENSION : 32" L x 12" W x 9" H
- MAX OAH : 127" OAH
- CANOPY : 4.5" W x 1" H x 7" L
- HANGING WEIGHT : 11.44 lb

LAMPING

- INPUT VOLTAGE : 120V
- LUMENS : 3,000 Rated
- BULB : 6 x 40W Xenon G9 , 240W Total
- BULB INCLUDED : (Included)
- DIMMABLE : Yes
- COLOR_TEMP : 2900K

FINISHES OPTION



MATERIAL

Steel

RATINGS

cETLus
Dry Location



ADDITIONAL

RATED LIFE 2000 Hours
OPERATING TEMPERATURE:
-20°C (-4°F), 40°C (104°F)

Always consult a qualified electrician before installing any lighting product.



WESTERN DISTRIBUTION CENTER (HEADQUARTER)
253 NORTH VINELAND AVE | CITY OF INDUSTRY, CA 91746
EASTERN DISTRIBUTION CENTER
4200 SHIRLEY DR. | ATLANTA, GA 30336
P. 626.956.4200 | F. 626.956.4225 | et2online.com