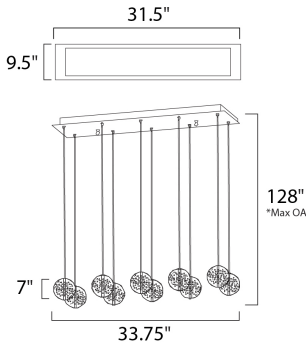




PRODUCT DESCRIPTION

Ablaze with xenon lamps radiating from the center of perfect spheres, the Orb Collection adds a sense of drama to any room. Clear bubble glass allows for a lustrous glow as light mimics the fluid play of water and air. Bordered with a Polished Chrome frame, the fixture mesmerizes onlookers with an innate mystery.Â



*max overall height of fixture

MEASUREMENTS

- DIMENSION : 33.75" L x 11" W x 7" H
- MAX OAH : 128" OAH
- CANOPY : 9.5" W x 1.6" H x 31.5" L
- HANGING WEIGHT : 41.8 lb

LAMPING

- INPUT VOLTAGE : V
- LUMENS : 3,200 Rated
- BULB : 1 x 20W Xenon 12V G4 , 200W Total
- BULB INCLUDED : (Included)
- DIMMABLE : Electronic Low Voltage (ELV)
- COLOR_TEMP : 2900K

FINISHES OPTION



GLASS

Bubble 91

MATERIAL

Bubble Glass, Steel

RATINGS

cETLus
Dry Location



ADDITIONAL

TRANSFORMER
RATED LIFE 2000 Hours
OPERATING TEMPERATURE:
-20°C (-4°F), 40°C (104°F)

Always consult a qualified electrician before installing any lighting product.



WESTERN DISTRIBUTION CENTER (HEADQUARTER)
253 NORTH VINELAND AVE | CITY OF INDUSTRY, CA 91746
EASTERN DISTRIBUTION CENTER
4200 SHIRLEY DR. | ATLANTA, GA 30336
P. 626.956.4200 | F. 626.956.4225 | et2online.com