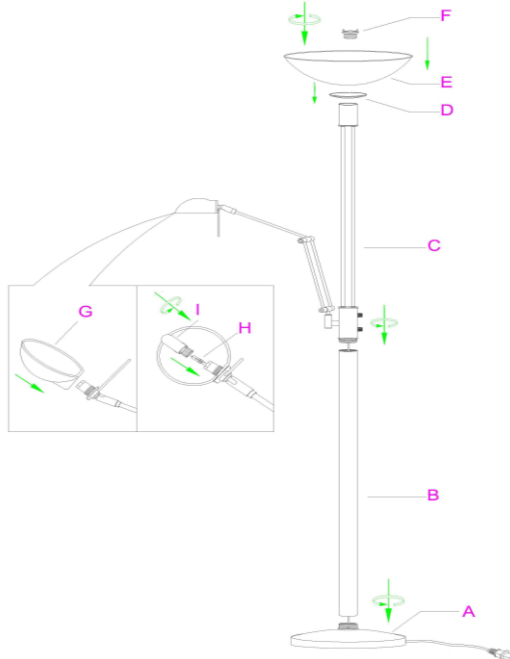


Installation Instruction

For Floor Lamp

ITEM# P257 series



SAVE THESE INSTRUCTIONS

IMPORTANT SAFETY INSTRUCTIONS

This portable lamp has a polarized plug (one blade is wider than the other) as a safety feature to reduce the risk of electric shock. This plug will fit in a polarized outlet only one way. If the plug does not fit fully in the outlet, reverse the plug. If it still does not fit, contact a qualified electrician. Never use with an extension cord unless plug can be fully inserted. Do not alter the plug.

IN AN ONGOING EFFORT TO BE ENVIRONMENTALLY FRIENDLY AND IN COMPLIANCE WITH CALIFORNIA TITLE 20 AN ENERGY SAVING COMPACT FLUORESCENT BULB(S) IS INCLUDED. PLEASE NOTE THAT THE LIFE EXPECTANCY OF THE BULB(S) IS NOT GUARANTEED.



MADE IN CHINA

WARNING

- Risk of shock, do not plug in the unit before assembly.
- Do not exceed the maximum wattage **rating. (NE PAS DEPASSER LA PUISSANCE NOMINALE MAXIMALE!)**

- Before you begin assembly of your new fixture, please follow the instruction manual step by step.

INSTALLATION

1. Place all parts on a smooth, flat surface to protect the finish until ready to install.
2. Place the Lamp tube (B) into the Lamp Base (A) and secure. Then Place the Lamp Body(C) into the Tube (B) and tighten.
3. Put the Metal holder (D) on top of the lamp, then place the primary Lamp Shade (E) on it and secure with the Ring (F).
4. Place the secondary Lamp Shade (G) into socket and install the Lamp Bulb (H) in accordance with the lamp's specifications. **DO NOT EXCEED THE MAXIMUM WATTAGE RATING, (NE PAS DEPASSER LA PUISSANCE NOMINALE MAXIMALE!)**
5. Final put the Bulb Cover (I) outside bulb and secure.

**Use: Type G9 - 120V/25W Xenon Bulb
(Bulb included)**

INSTRUCTIONS PERTAINING TO A RISK OF FIRE, ELECTRIC SHOCK, EXPOSURE TO EXCESSIVE UV RADIATION, OR INJURY TO PERSONS

IMPORTANT SAFETY INSTRUCTIONS

Lighted lamp is HOT!

WARNING: In handling of xenon bulb. Care should be taken not to touch it with your bare hands. Oil residue will shorten the life of the xenon bulb. If you accidentally come in contact, wipe thoroughly with a clean, lint-free, Cotton cloth. Allow the bulb to cool for 10 minutes before changing the bulb.

1. Turn off/unplug and allow to cool before replacing bulb(lamp)
2. Bulb (lamp) gets HOT quickly! Only contact switch/plug when turning on.
3. Do not touch hot lens, guard, or enclosure.
4. Do not remain in light if skin feels warm.
5. Do not look directly at lighted lamp.
6. Keep lamp away from materials that may burn.
7. Used only with a 25 watt or smaller xenon bulb (lamp).
8. Do not touch the bulb (lamp) at any time. Use a soft cloth. Oil from skin may damage bulb (lamp).
9. Do not operate the portable luminaire with a missing or damaged guard, lamp containment barrier, or UV filter.