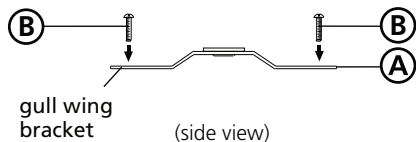
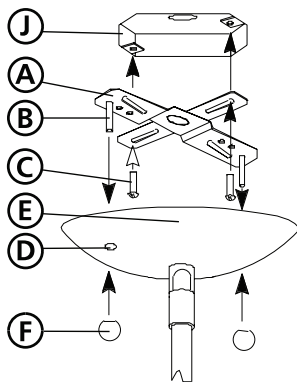


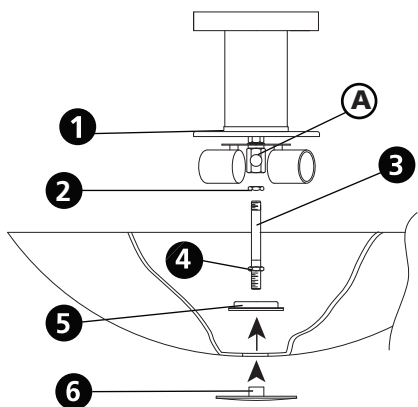
Drawing 1 - Strap Detail



Drawing 2 - Fixture Mounting



Drawing 3 - Glass installation



▼ start here

1

1. Find a clear area in which you can work.
2. Unpack fixture and glass from carton.
3. Carefully review instructions prior to assembly.

***** The construction of this fixture will be accomplished by first mounting the mounting strap to the junction box, making all necessary electrical connections, hanging the fixture from the ceiling, and then installing the glass.**

2

1. Prepare gem strap (A) for mounting by threading two screws (B) provided into back of gull wing bracket of gem strap (A) - see **Drawing 1**.
 - Be sure the holes into which the screws are threaded match the spacing of holes (D) in the canopy (E) - see **Drawings 1 and 2**.
3. Mount gem strap (A) to junction box (J), using the two 1" screws (C) provided.

SAFETY WARNING: READ WIRING AND GROUNDING INSTRUCTIONS (I.S. 18) AND ANY ADDITIONAL DIRECTIONS. TURN POWER SUPPLY OFF DURING INSTALLATION. IF NEW WIRING IS REQUIRED, CONSULT A QUALIFIED ELECTRICIAN OR LOCAL AUTHORITIES FOR CODE REQUIREMENTS.

3

Make electrical connections from supply wire to fixture lead wires. Refer to instruction sheet (I.S. 18) and follow all instructions to make all necessary wiring connections.

4

1. Hang the fixture by slipping the holes (D) in the canopy (E) over the screws (B) in the mounting strap (A) - see **Drawing 2**.
2. Thread on ball knobs (F) to secure fixture to the ceiling.

5

1. Thread hex nut (2) onto one end of center stem (3).
2. Thread stem (3) approximately 3/8" into coupler (A), located in the center of ceiling pan (1) - see **Drawing 3**.
3. Thread hex nut (4) onto end of center stem (3) until approximately 3/8" from end.
4. Slip glass support cap (5) onto center stem (3), and hold in position.
5. Slip glass (6) center hole over center stem (3).
6. Thread decorative cap (6) onto end of center stem (3) and tighten to secure glass (6).