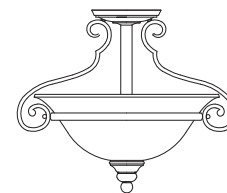
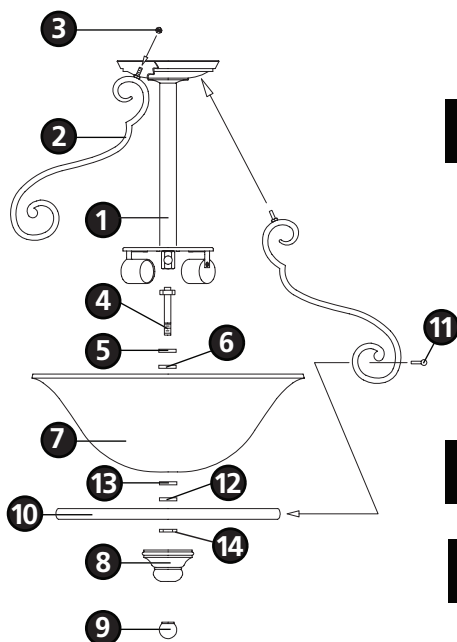


Family: Cello | Item No. 4561 AT



▼ start here

Drawing 1 - Fixture Assembly



1

1. Find a clear area in which you can work.
2. Unpack fixture and glass from carton.
3. Carefully review instructions prior to assembly.

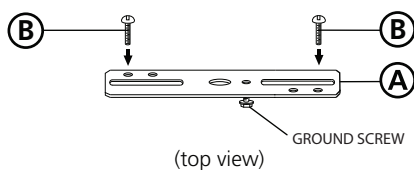
2

1. To assemble main body, attach arms (2) to top of canopy of the main body assembly (1), using hex nut (3) and repeat for remaining two arms - see **Drawing 1**.

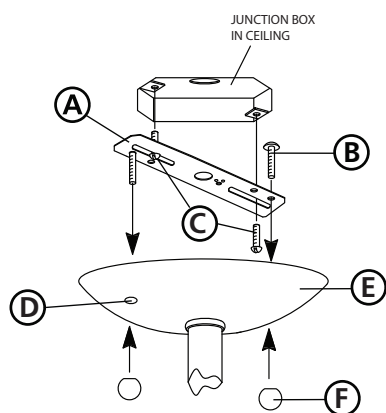
3

1. Prepare gem strap (A) for mounting by threading long two screws (B) not provided into back of gem strap (A) Note position of ground screw. - see **Drawing 2**.
 - Be sure the holes into which the screws are threaded match the spacing of holes (D) in the canopy (E) - see **Drawings 2 and 3**.
2. Mount gem strap (A) to junction box (J), using the two short screws (C) not provided.

Drawing 2 - Strap Detail



Drawing 3 - Fixture Mounting



4

- Make electrical connections from supply wire to fixture lead wires. Refer to instruction sheet (I.S. 18) and follow all instructions to make all necessary wiring connections. Then refer back to this sheet to complete installation of this fixture.

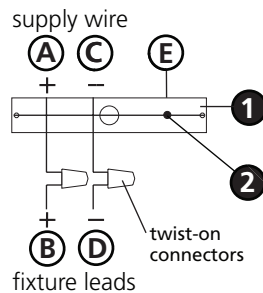
5

1. To hang the fixture, slip the holes (D) in the ceiling pan (E) over the screws (B) and secure with ball knobs (F) - see **Drawing 3**.

6

1. Prior to installing glass, fixture can now be lamped accordingly.
2. To assemble glass, slip threaded center tube (4) through the center holes of flat washer (5) and rubber washer (6) - see **Drawing 1**.
3. Slip threaded center stem (4) through center hole of glass (7).
4. Slip rubber washer (12) followed by metal washer (13) onto center stem (4).
5. Thread hex nut (14) onto center stem (4) and up against metal washer (13) to secure center stem and glass.
6. Slip bottom cap (8) onto center stem (4) and hold in position.
7. Thread ball knob (9) onto center stem (4) and tighten to secure glass cap (8).
8. Attach ring (10) to one of the uprights (2) using ball knob studs (11) provided.
9. Slip glass (7) into ring (10).
10. Thread ball knob stud (11) into hole to secure ring (10) to arm (2) and repeat for remaining arms.

Drawing 1 - Flush Mount



Drawing 2 - Chain Hung



Drawing 3 - Post-Mount



SAFETY WARNING: READ WIRING AND GROUNDING INSTRUCTIONS (I.S. 18) AND ANY ADDITIONAL DIRECTIONS. TURN POWER SUPPLY OFF DURING INSTALLATION. IF NEW WIRING IS REQUIRED, CONSULT A QUALIFIED ELECTRICIAN OR LOCAL AUTHORITIES FOR CODE REQUIREMENTS.

wiring instructions

Indoor Fixtures

1. Connect positive supply wire **(A)** (typically black or the smooth, unmarked side of the two-conductor cord) to positive fixture lead **(B)** with appropriately sized twist on connector - see **Drawings 1 or 2**.
2. Connect negative supply wire **(C)** (typically white or the ribbed, marked side of the two-conductor cord) to negative fixture lead **(D)**.
3. Please refer to the **grounding instructions** below to complete all electrical connections.

Outdoor Fixtures

1. Connect positive supply wire **(A)** (typically black or the smooth unmarked side of the two-conductor cord) to positive fixture lead **(B)** with appropriately sized twist on connector - see **Drawings 2 or 3**.
2. Connect negative supply wire **(C)** (typically white or the ribbed, marked side of the two-conductor cord) to negative fixture lead **(D)**.
3. Cover open end of connectors with silicone sealant to form a watertight seal.
 - If installing a wall mount fixture, use caulk to seal gaps between the fixture mounting plate (backplate) and the wall. This will help prevent water from entering the outlet box. If the wall surface is lap siding, use caulk and a fixture mounting platform specially.
4. Please refer to the **grounding instructions** below to complete all electrical connections.

grounding instructions

Flush Mount Fixtures

For positive grounding in a 3-wire electrical system, fasten the fixture ground wire **(E)** (typically copper or green plastic coated) to the fixture mounting strap **(1)** with the ground screw **(2)** - see **Drawing 1**.

Note: On straps for screw supported fixtures, first install the two mounting screws in strap. Any remaining tapped hole may be used for the ground screw.

Chain Hung Fixtures

Loop fixture ground wire **(E)** (typically copper or green plastic coated) under the head of the ground screw **(2)** on fixture mounting strap **(1)** and connect to the loose end of the fixture ground wire directly to the ground wire of the building system with appropriately sized twist-on connectors - see **Drawing 2**.

Post-Mount Fixtures

Connect fixture ground wire **(E)** (typically copper or green plastic coated) to power supply ground with appropriately sized twist-on connector inside post. Cover open end of connector with silicone sealant to form a watertight seal - see **Drawing 3**.