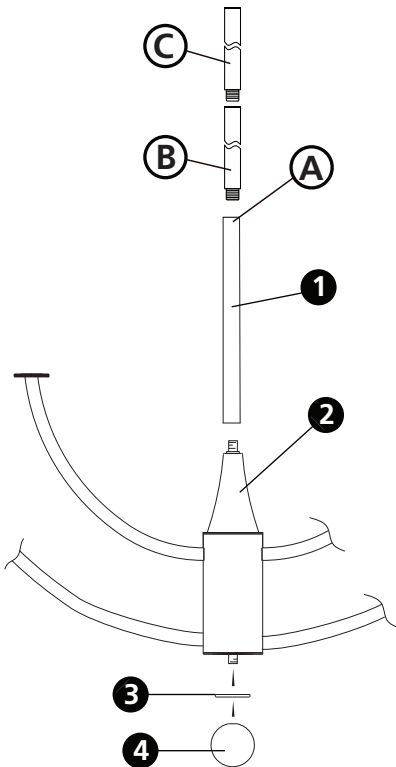
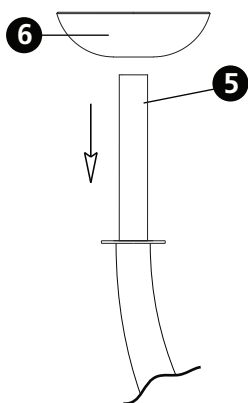


Item No. 4928

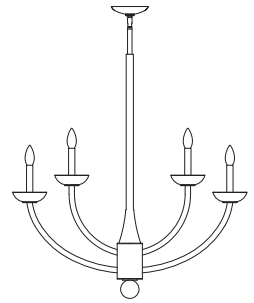
Drawing 1 - Assembly



Drawing 2 - Assembly



▼ start here



1

1. Find a clear area in which you can work.
2. Unpack fixture and glass from carton.
3. Carefully review instructions prior to assembly.

**\*\*\* The construction of this fixture will be accomplished by first assembling the main body of the fixture, making all necessary electrical connections, hanging the fixture from the ceiling and then installing the fixture shade.**

**SAFETY WARNING: READ WIRING AND GROUNDING INSTRUCTIONS (I.S. 18) AND ANY ADDITIONAL DIRECTIONS. TURN POWER SUPPLY OFF DURING INSTALLATION. IF NEW WIRING IS REQUIRED, CONSULT A QUALIFIED ELECTRICIAN OR LOCAL AUTHORITIES FOR CODE REQUIREMENTS.**

2

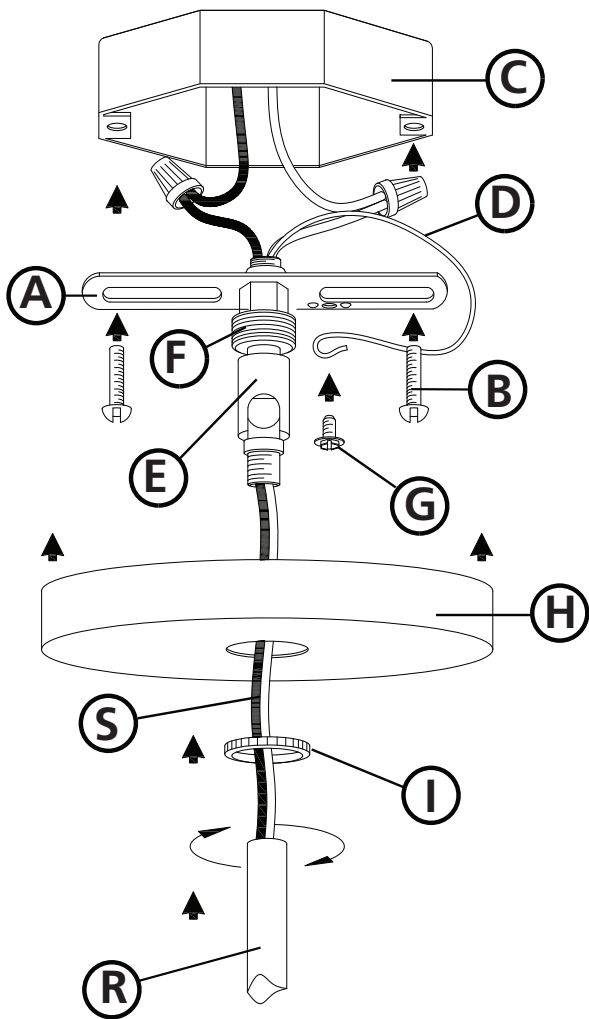
1. Slip center column (1) along wire and thread onto top of body (2) and tighten- see Drawing 1..  
Note: It will be necessary to determine the length of rods you will require to hang your fixture at the desired height. After this has been established, please follow the instructions below.
2. Slip first rod section (B) along wire and thread into top of main fixture body (A).
3. Slip next section of rod (C) along wire and thread into top of previously installed rod.
4. Continue adding sections of rod until all necessary length have been attached to the fixture.
5. Fixture can now be mounted to the ceiling by following mounting instruction sheet (IS19-81) provided.
6. After fixture is installed slip bottom cap (3) onto thread tube (D) and hold in position, and thread decorative ball (4) onto threaded tube (D) and tighten.

3

1. To complete assembly slip glass bobesche (6) over socket (5) - see Drawing 2.
2. Fixture can be lamped accordingly at this point, and power can be restored.

1.1.13

Drawing 1 - Fixture Assembly



▼ start here

**SAFETY WARNING: READ WIRING AND GROUNDING INSTRUCTIONS (IS-18) AND ANY ADDITIONAL DIRECTIONS. TURN POWER SUPPLY OFF DURING INSTALLATION. IF NEW WIRING IS REQUIRED, CONSULT A QUALIFIED ELECTRICIAN OR LOCAL AUTHORITIES FOR REQUIREMENTS.**

1

1. Shut off electrical current before starting. If the fixture you are replacing is turned on and off by a wall switch, simply turn the switch off. If not, remove the appropriate fuse (or open the circuit breakers) until the fixture is dead.

- DO NOT restore current - either by fuse, breaker or switch - until the new fixture is completely wired and in place.

2

1. In the following order : take retainer ring (L) , canopy (H) and slide them over the stems (R) attached previously.
2. Thread supply wires (S) through center of swivel (E) that is attached to mounting strap (A).
3. Slide swivel with mounting strap along wire and thread end of swivel into top of stems (R).
4. Lift fixture and attach mounting strap (A) to junction box (C) using 2-8/32 screws (B).
5. Make all necessary electrical connections following instruction sheet (IS-18) provided. Ground wire (D) can be attached to mounting strap (A) using green ground screw (G).
6. Slip canopy (H) up along rods (R) and over mounting strap with swivel and hold in position.
7. Slip retainer ring (I) up to canopy and thread onto coupler (F), to secure canopy.
8. Return to assembly instructions to complete fixture construction.

**Drawing 1 - Flush Mount**



**Drawing 2 - Chain Hung**



**Drawing 3 - Post-Mount**



**SAFETY WARNING: READ WIRING AND GROUNDING INSTRUCTIONS (I.S. 18) AND ANY ADDITIONAL DIRECTIONS. TURN POWER SUPPLY OFF DURING INSTALLATION. IF NEW WIRING IS REQUIRED, CONSULT A QUALIFIED ELECTRICIAN OR LOCAL AUTHORITIES FOR CODE REQUIREMENTS.**

## wiring instructions

### Indoor Fixtures

1. Connect positive supply wire **(A)** (typically black or the smooth, unmarked side of the two-conductor cord) to positive fixture lead **(B)** with appropriately sized twist on connector - see **Drawings 1 or 2**.
2. Connect negative supply wire **(C)** (typically white or the ribbed, marked side of the two-conductor cord) to negative fixture lead **(D)**.
3. Please refer to the **grounding instructions** below to complete all electrical connections.

### Outdoor Fixtures

1. Connect positive supply wire **(A)** (typically black or the smooth unmarked side of the two-conductor cord) to positive fixture lead **(B)** with appropriately sized twist on connector - see **Drawings 2 or 3**.
2. Connect negative supply wire **(C)** (typically white or the ribbed, marked side of the two-conductor cord) to negative fixture lead **(D)**.
3. Cover open end of connectors with silicone sealant to form a watertight seal.
  - If installing a wall mount fixture, use caulk to seal gaps between the fixture mounting plate (backplate) and the wall. This will help prevent water from entering the outlet box. If the wall surface is lap siding, use caulk and a fixture mounting platform specially.
4. Please refer to the **grounding instructions** below to complete all electrical connections.

## grounding instructions

### Flush Mount Fixtures

For positive grounding in a 3-wire electrical system, fasten the fixture ground wire **(E)** (typically copper or green plastic coated) to the fixture mounting strap **(1)** with the ground screw **(2)** - see **Drawing 1**.

Note: On straps for screw supported fixtures, first install the two mounting screws in strap. Any remaining tapped hole may be used for the ground screw.

### Chain Hung Fixtures

Loop fixture ground wire **(E)** (typically copper or green plastic coated) under the head of the ground screw **(2)** on fixture mounting strap **(1)** and connect to the loose end of the fixture ground wire directly to the ground wire of the building system with appropriately sized twist-on connectors - see **Drawing 2**.

### Post-Mount Fixtures

Connect fixture ground wire **(E)** (typically copper or green plastic coated) to power supply ground with appropriately sized twist-on connector inside post. Cover open end of connector with silicone sealant to form a watertight seal - see **Drawing 3**.