



shown in Brushed Nickel
with 60" Walnut blades



Irene-5

Designed in 2012

Cutting a figure like no other, the Irene-5 is rustic, yet strikingly modern with five neatly joined, solid wood walnut or barn wood tone blades. A spherical motor housing complements its minimal profile. Irene-5 is streamline while still appearing warm and natural. Constructed of cast aluminum and heavy stamped steel, the Irene-5 has a limited lifetime warranty.



shown in Textured Bronze
with 52" Barn Wood blades



shown in Polished Chrome
with 42" Walnut blades

SKU NAMING CONVENTION

SKU#	IR5-XX-XX-XX (Model+Finish+Blade+Diameter)
Finishes	Brushed Nickel - BN
	Polished Chrome - CR
	Textured Bronze - TB
Blade Finish	Barn Wood Tone - BW
	Walnut Tone - WA
Fan Diameter	42 inches / 107 cm - 42
	52 inches / 132 cm - 52
	60 inches / 152 cm - 60

STANDARD EQUIPMENT

One downrod of 10 inches / 13 cm

Vaulted ceiling canopy for up to 30°

6-speed RF remote control with reverse function in black



Wireless Decora-style, 6-speed, wall control in white



CEILING HEIGHT / DOWNROD TABLE

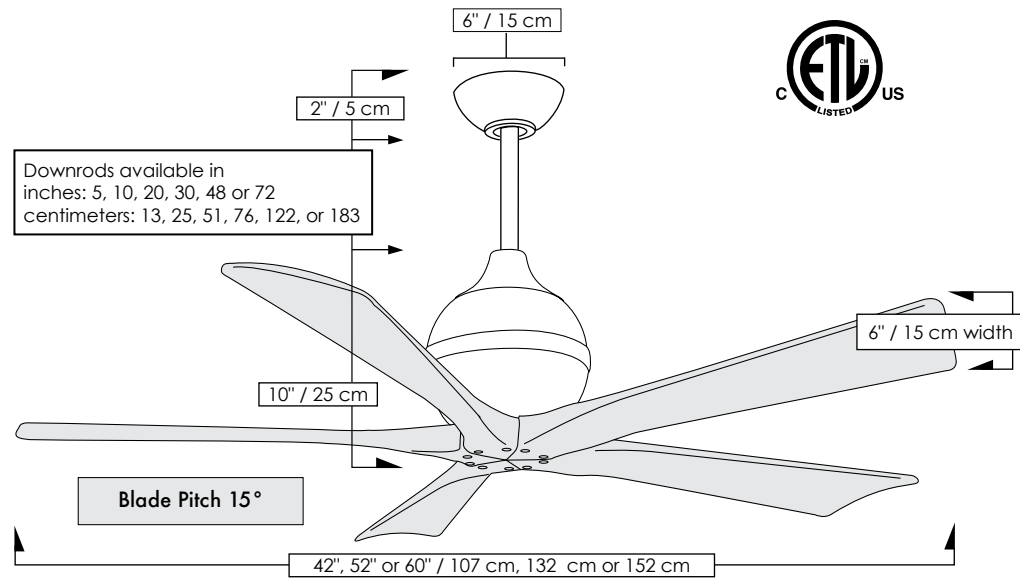
Ceiling Height	Downrod Lengths <i>Field cuttable. Non-threaded</i>
10 ft or less	5 inches / 13 cm
10 -12 feet	10 inches / 25 cm
13 feet	20 inches / 51 cm
14 feet	30 inches / 76 cm
15 feet	48 inches / 122 cm
16 feet +	72 inches / 183 cm

CEILING PITCH TABLE

0/12	0 degrees
1/12	4.76 degrees
2/12	9.46 degrees
3/12	14.04 degrees
4/12	18.43 degrees
5/12	22.62 degrees
6/12	26.57 degrees
7/12	30.26 degrees
8/12	33.69 degrees
9/12	36.87 degrees
10/12	39.81 degrees
11/12	42.51 degrees

Irene-5

TECHNICAL SPECIFICATIONS



FAN SPECIFICATIONS

Fan Diameters	inches: 42, 52 or 60 centimeters: 107, 132 or 152
Overall Drop	12 inches / 30 cm + downrod length
Fan Weight	18 lbs
Voltage	110 or 220
Motor Type	DC
Downrods Lengths <i>Field cuttable. Non-threaded</i>	inches: 5, 10, 20, 30, 48, 72 centimeters: 13, 25, 51, 76, 122, 183
Downrod Diameter	1 inch
Remote Control	Hand-held, wall-mountable, 6-speed with reverse
Wall Control	Decora-style wall control: DC-WC
Environment	Damp locations for all finishes Non-coastal, nor saltwater or chlorine compatible
Ambience	Silent
Safety Certification	ETL / CETL
Warranty	Limited Lifetime

MOTOR EFFICIENCY DATA AT HIGH SPEEDS

	42 inch / 107 cm	52 inch / 132 cm	60 inch / 152 cm
RPM	229	156	
CFM	4260.98	5782.00	5006.19
Watts	25.33	32.18	31.38
CFM/Watt	168.22	179.70	159.53
Blade Pitch	15°	15°	15°

Matthews Fan Company

1881 Industrial Drive
Libertyville, IL 60048
Tele: 847.680.9043
Fax: 847.680.8140

www.matthewsfanco.com

© 2017 Matthews Fan Company. All rights reserved.

