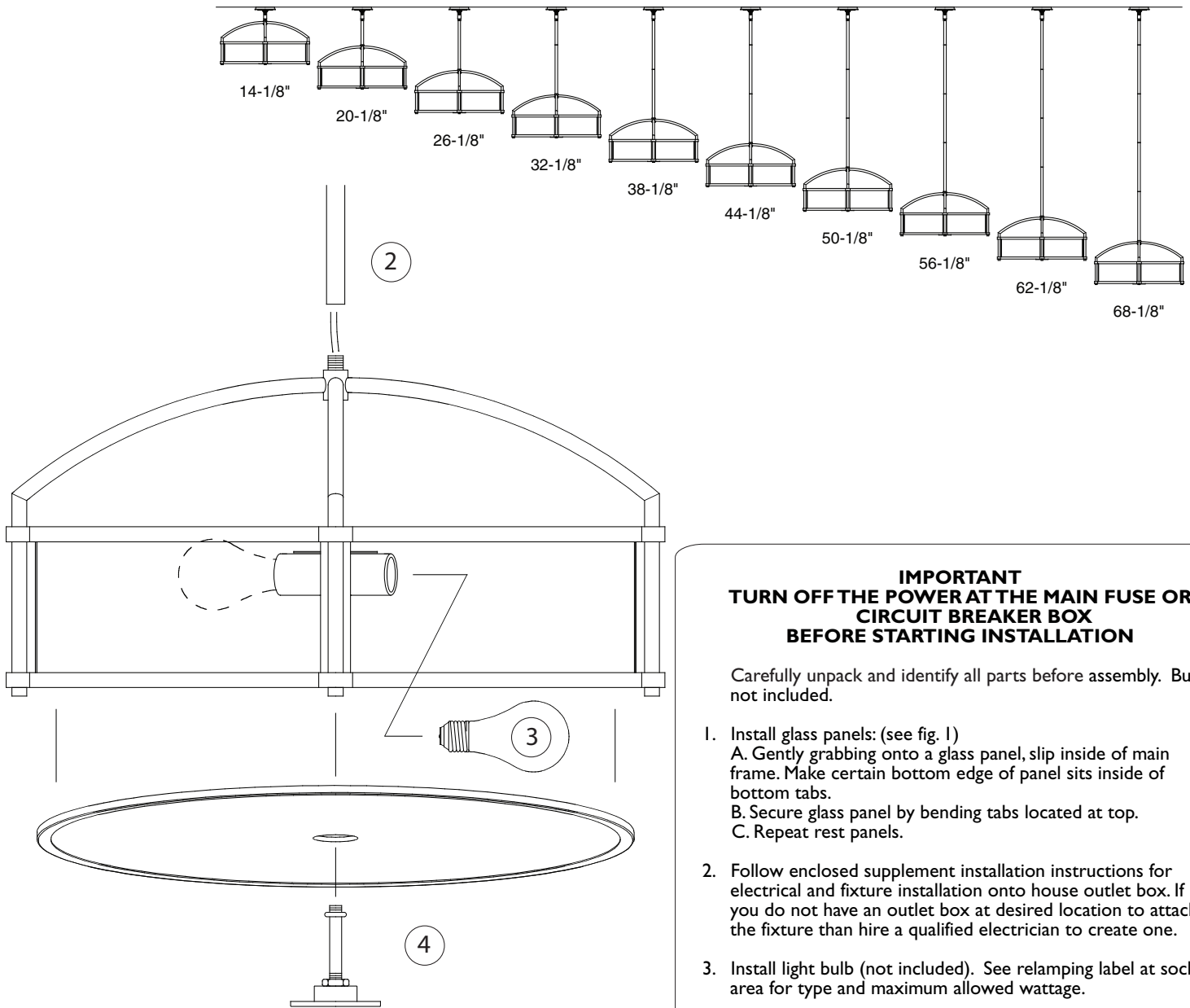


Assembly Instructions For

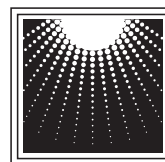
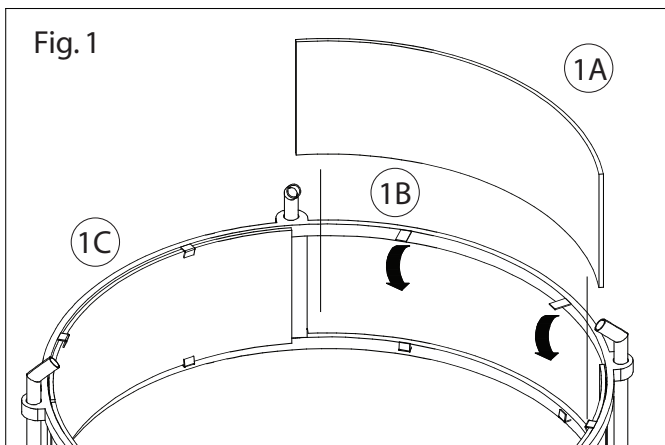
F2489/3 (E) 5/09



**IMPORTANT
TURN OFF THE POWER AT THE MAIN FUSE OR
CIRCUIT BREAKER BOX
BEFORE STARTING INSTALLATION**

Carefully unpack and identify all parts before assembly. Bulb not included.

1. Install glass panels: (see fig. 1)
 - A. Gently grab onto a glass panel, slip inside of main frame. Make certain bottom edge of panel sits inside of bottom tabs.
 - B. Secure glass panel by bending tabs located at top.
 - C. Repeat rest panels.
2. Follow enclosed supplement installation instructions for electrical and fixture installation onto house outlet box. If you do not have an outlet box at desired location to attach the fixture than hire a qualified electrician to create one.
3. Install light bulb (not included). See relamping label at socket area for type and maximum allowed wattage.
4. Raise glass plate until it checks inside of main frame. Lock glass plate by fastening bottom assembly.



**MURRAY
FEISS**
Generation Brands™