

Fig. 1
CHAIN HUNG
INSTALLATION

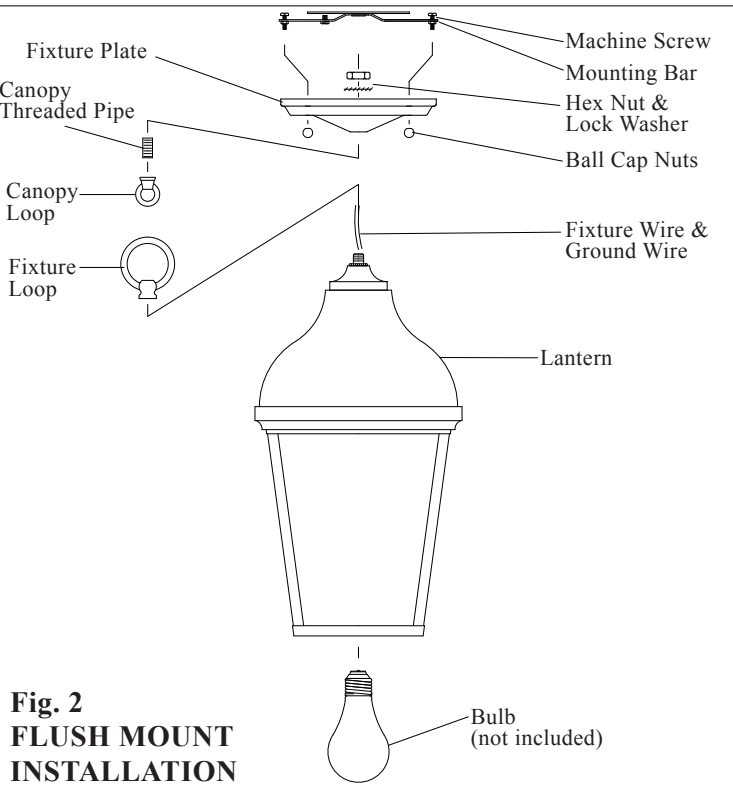


Fig. 2
FLUSH MOUNT
INSTALLATION

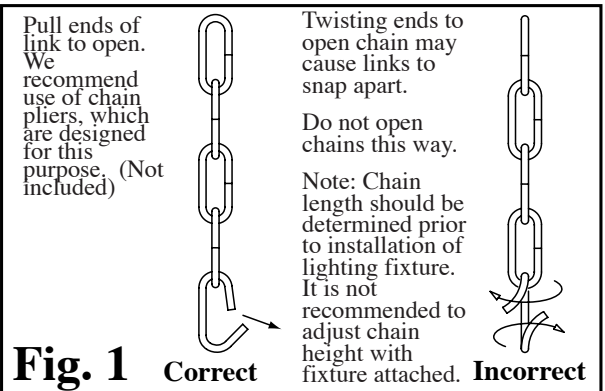


Fig. 1 Correct Incorrect

IMPORTANT
TURN OFF POWER AT MAIN FUSE OR CIRCUIT
BREAKER BOX BEFORE STARTING
INSTALLATION

Carefully unpack and identify all parts before beginning assembly. Bulb not included.

1. Install light bulb (not included). See relamping label at socket area for type and maximum allowed wattage.
2. This fixture can be mounted onto ceiling either as chain hung or flush mount:

CHAIN HUNG INSTALLATION- Fig. 1:

- A. Take fixture wire (with plastic insulation) and ground wire and thread through fixture loop. Then install loop onto threaded pipe located at top of lantern.
- B. At this point, determine the desired length of chain to hang. Remove any unwanted links by following above Fig 3.
- C. Take bottom open link of chain and hook onto fixture loop. Then close back link.
- D. Install the adjustable chain link onto top end of chain and onto canopy loop. Then secure by closing the adjustable chain link.
- E. Take ground wire and weave thru above chain links, then thread thru center hole in canopy loop. Repeat with fixture wire.

FLUSH INSTALLATION- Fig. 2:

- A. Remove canopy loop and threaded nipple from fixture plate by loosening hex nut at top. Set aside flat washer, lock washer and hex nut.
 - B. Thread fixture wire (with plastic insulation) and ground wire through fixture plate, flat washer, lock washer and hex nut. While removing any slack of wire in between secure all together by tightening hex nut.
3. Cut excess wires leaving only 6" (15cm) length of wires above canopy. Split fixture wire into two strands. Then strip off 3/4" (19mm) of outer plastic insulation.
 4. Follow enclosed "Fixture Installation Instructions" for electrical and fixture installation onto ceiling outlet box.