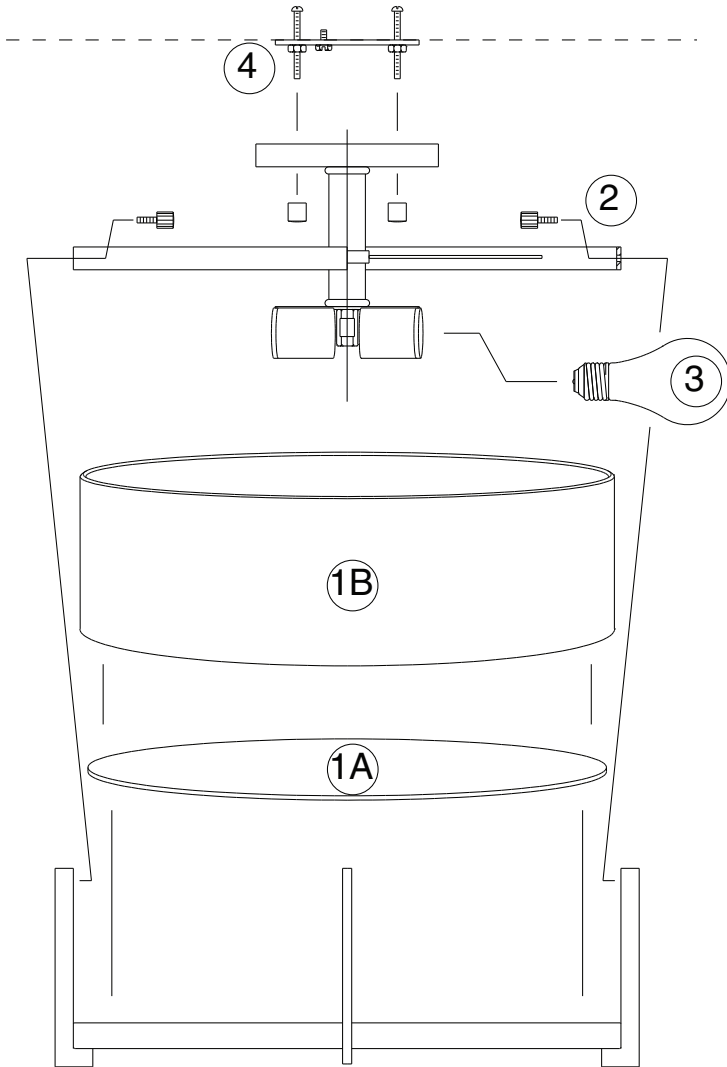


# Assembly Instructions For

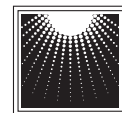
# SF272 (E) 10/09



**IMPORTANT  
TURN OFF THE POWER AT THE MAIN FUSE OR  
CIRCUIT BREAKER BOX  
BEFORE STARTING INSTALLATION**

Carefully unpack and identify all parts before assembly. Bulbs not included.

1. A. Place glass plate inside bottom of main frame.  
B. Then place fabric shade inside of main frame.
2. Install main frame onto ring by fastening with cap screw.
3. Install light bulb (not included). See relamping label at socket area for type and maximum allowed wattage.
4. Follow enclosed supplement installation instructions for electrical and fixture installation onto house outlet box. If you do not have an outlet box at desired location to attach the fixture then hire a qualified electrician to create one.



**MURRAY  
FEISS**

GENERATION  
BRANDS™ 