



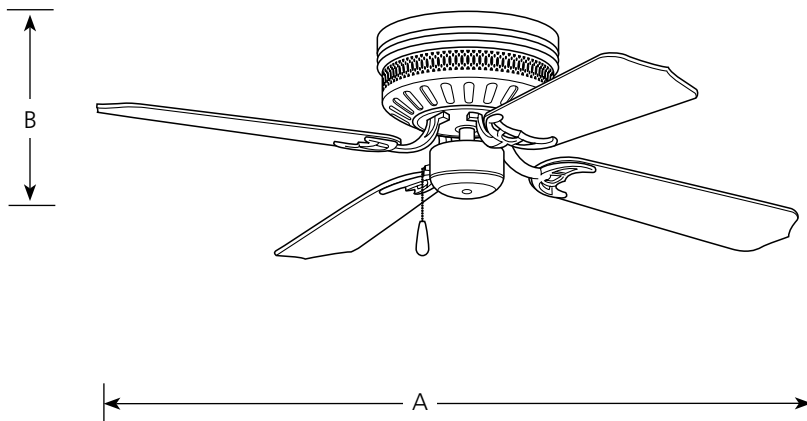
Indoor

AirPro Hugger

Ceiling Fans

Catalog No.	Finish/Blades		Dimensions (Inches)	
	Brushed Nickel	White	A	B
P2524	-09 Cherry/Natural Cherry blades	-30 White blades	42	8-3/8

Type	-09	-30
P2524	<input type="checkbox"/>	<input type="checkbox"/>



Specifications:

General

- 15 year limited warranty
- Plated Brushed Nickel (-09) finish
- Painted White (-30) finish
- Compatible with universal light kits.
- Hugger style housing

Blades

- Four blades
- 11 degree pitch
- MDF blade material

Motor

- Triple capacitor speed control; manual reverse control
- 153mm dia. x 10mm high

Mounting

- Ceiling flush mount
- Unit covers a standard 4" hexagonal recessed outlet box Note: An outlet box assembly designed for fan installation is required (not included)
- Mounting hardware for outlet box included

Electrical

- Pre-wired
- Hugger fan cannot be operated with a remote control. Use P2613-30, P2619-30 pr P2630-30 for speed/light control.
- 1/8" IP accessory adapter

Labeling

- UL Dry location listed

ENERGY INFORMATION AT HIGH SPEED

AIRFLOW:	4002 cubic feet per minute
ELECTRICITY USE:	53 watts (excludes lights)
AIRFLOW EFFICIENCY:	76 cubic feet per minute per watt

Progress Lighting
701 Millennium Blvd.
Greenville, South Carolina
29607

www.progresslighting.com

Rev. 06/13