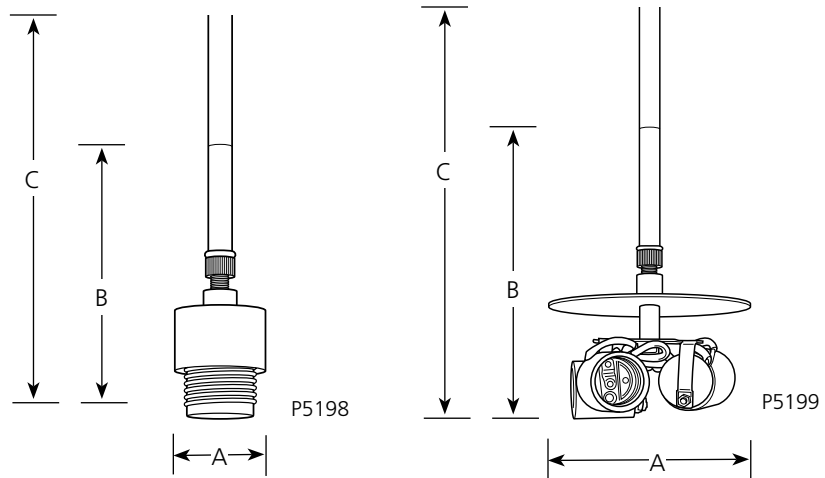


	Type _____	
	-09	-20
P5198	<input type="checkbox"/>	<input type="checkbox"/>
P5199	<input type="checkbox"/>	<input type="checkbox"/>

Catalog No.	Finish		Lighting	Dimensions (Inches)		
	Brushed Nickel	Antique Bronze		A	B	C
P5198	-09	-20	1 (m) 100w	1-5/8	7	62
P5199	-09	-20	3 (m) 100w	4-3/4	5-3/4	63



Specifications:

General

- For use with Markor shades (P8765, P8766, P8768 and P8820, P8821, P8822, P8823, P8824, P8825)
- A shade and kit make a complete pendant unit
- Two 6", one 12", and two 15" stems with concealed connections are supplied
- Plated Brushed Nickel (-09), or painted Antique Bronze (-20) finish
- Steel construction

Mounting

- Ceiling stem mounted
- Canopy covers a standard 4" hexagonal recessed outlet box
- 90 degree swivel included in canopy
- Mounting strap for outlet box included

Electrical

- Medium based ceramic sockets
- 10 feet of wire
- Pre-wired

Labeling

- UL-CUL listed