



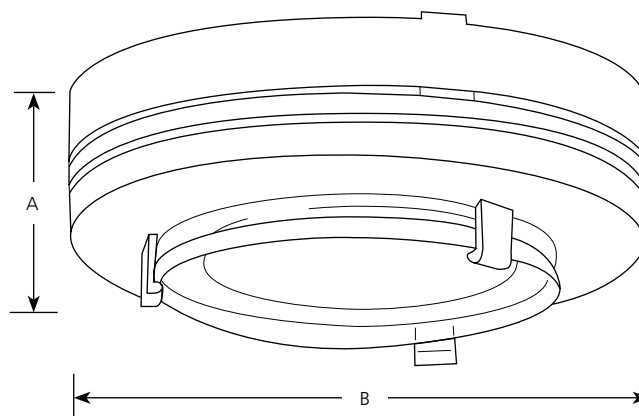
Incandescent-Halogen

## Hide-a-Lite II Surface Mount Disc Light

Undercabinet

Type \_\_\_\_\_  
-30  
P7520

Catalog No.	Finish	Lamping	Dimensions (Inches)	
	White		A	B
P7520	-30	1-20w G4 Halogen (included)	1-1/8	2-7/8



### Specifications:

#### General

- White high temperature plastic construction
- Borosilicate clear lens, removable for relamping
- Specular aluminum reflector
- One to one spacing gives even illumination (18" on centers, 18" above counter)
- A single units lights an area 30% larger than the mounting height (24" at 18" mtg ht.)
- 20w bi-pin lamp is furnished (Replacement is P7802-01)

#### Mounting

- Ideal for use in undercabinet applications
- Mounting screws provided

#### Electrical

- 12 volt system
- Unit designed for easy through wiring of #10 or #12 Romex TFFN or THHN wire
- Units can be continuously surfaced wired or wired through the top
- Units must be connected to an approved 12v transformer of the proper capacity
- Units must be properly grounded
- Bipin wedge based socket

#### Labeling

- Not UL listed

Progress Lighting  
701 Millennium Blvd.  
Greenville, South Carolina  
29607

www.progresslighting.com

Rev. 9/11