



Job Name:

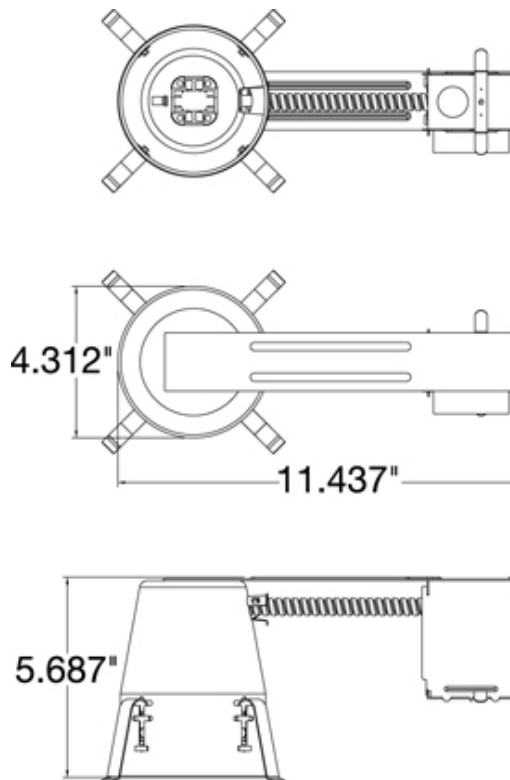
Job Type:

Comments:

Quantity:

### 11083LE: Non-IC 4: Fluorescent Housing

### Specification Images:



Non-IC 4" Fluorescent Housing  
Accommodates 26w bulb

Trims: 1162AT, 1152AT, 1153AT, 1156AT, 11091AT, 11092AT

Safe, Thermally Protected, For Damp Locations: Non-IC housings are approved for use where insulation is kept at least 3" away from housing.

Easy Access Housing: Housing removable for easy access to junction box.

Safe, Thermally Protected: Thermal protector safeguards against overheating caused by improper insulating and overlamping.

Easy Installation: Provided with mounting clips for fast, easy installation.

Trouble-Free Ballast: Provided with integral ballast offering years of trouble-free operation.

Time-Saving Junction Box Design: Junction box saves installation time with snap-on covers, pry-out knock-outs, riveted ground wire, and through-circuit wiring, with 2-in 2-out #12 wire.

UPC #:785652110856

### Dimensions:

**Diameter:** 4 5/16"  
**Length:** 11 7/16"  
**Height:** 5 11/16"

### Features:

- Energy Star Compliant
- Offers energy saving fluorescent lighting
- Meets Title 24 energy efficiency standards

### Material List:

1 Housing - Steel - Raw Steel

### Safety Listing:

cUL Listed for Damp Locations / Non-IC

### Shipping Information:

Package Type	Product #	Quantity	UPC	Length	Width	Height	Cube	Weight	UPS Ship
Individual	11083LE	1	785652110856	13	6	6	0.271	2.3	Yes
Master Pack		6	10785652110853	24.25	13	6.5	1.186	15.6	Yes
NJ Pallet		396		48	40	75	83.333	1029.6	No
NV Pallet		396		48	40	75	83.333	1029.6	No

## Trim

11091AT-15  
**4" Wall Wash Trim**  
White Steel Baffle  
White Aluminum Reflector  
White Steel Trim  
Maximum Wattage:  
26w 4 - Pin

1156AT-14  
**Recessed Trim**  
White Trim / Baffle Steel  
Baffle  
White Steel Trim  
Maximum Wattage:  
26w 4 - Pin

1162AT-19  
**Recessed Trim**  
Metallic Gold Aluminum Baffle  
White Aluminum Trim  
Maximum Wattage:  
26w 4 - Pin

1162AT-861  
**4" Multiplier Trim**  
Satin Nickel - White Aluminum  
Reflector  
White Steel Trim  
Maximum Wattage:  
26w 4 - Pin

11092AT-15  
**4" Shower Trim**  
Frosted Glass Lens  
White Aluminum Reflector  
White Aluminum Trim  
Maximum Wattage:  
26w 4 - Pin  
Suitable For Shower Light

1156AT-15  
**Recessed Trim**  
Black Steel Baffle  
White Steel Trim  
Maximum Wattage:  
26w 4 - Pin

1162AT-22  
**Recessed Trim**  
Polished Aluminum  
Aluminum Baffle  
White Aluminum Trim  
Maximum Wattage:  
26w 4 - Pin

1152AT-15  
**Recessed Trim**  
Frosted Glass Lens  
Polished Aluminum Aluminum  
Reflector  
White Steel Trim  
Maximum Wattage:  
26w 4 - Pin  
Suitable For Shower Light

1162AT-14  
**Recessed Trim**  
White Trim / Baffle Aluminum  
Aluminum Multiplier  
White Aluminum Trim  
Maximum Wattage:  
26w 4 - Pin

1162AT-71  
**4" Multiplier Trim**  
Antique Bronze Aluminum Reflector  
Antique Bronze Steel Trim  
Maximum Wattage:  
26w 4 - Pin

1153AT-15  
**Recessed Trim**  
Clear Glass Lens  
Polished Aluminum Aluminum  
Reflector  
White Steel Trim  
Maximum Wattage:  
26w 4 - Pin  
Suitable For Shower Light

1162AT-172  
**4" Multiplier Trim**  
Antique Bronze - White  
Aluminum Reflector  
White Steel Trim  
Maximum Wattage:  
26w 4 - Pin

1162AT-849  
**4" Multiplier Trim**  
Satin Nickel Aluminum Reflector  
Satin Nickel Steel Trim  
Maximum Wattage:  
26w 4 - Pin