



Job Name:

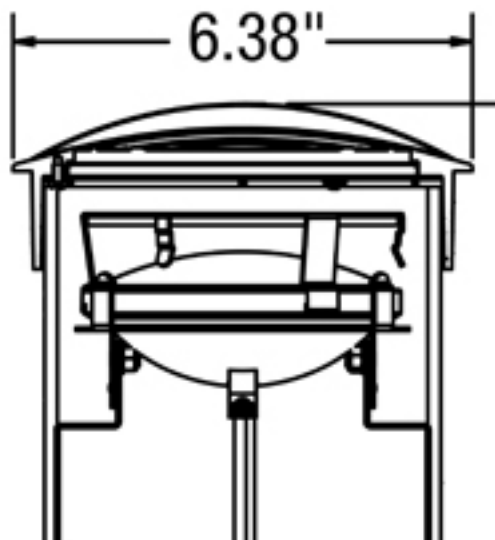
Job Type:

Comments:

Quantity:

91071-147: Apollo Star Well Light, 24v

Specification Images:



Collections: Signature (Primary)
Apollo Star

Dimensions:

Diameter: 6 3/8"

Wire: 300" (color/Brown)

Height: 9 5/32"

Bulbs:

1 - screw terminal Par36 35w max 24v - included

Features:

- Designer optical lenses included

Material List:

1 Housing - Composite - Undefined
1 Cover - Cast Brass - Weathered Brass

Safety Listing:

cETL Listed for Wet Locations

Instruction Sheets:

English (apollostar)

Tough and resilient describes the Apollo Star well light's design and function. This strong and powerful in-ground well light utilizes a 35 Watt flame sealed PAR 36 Halogen flood lamp to cast an ample beam spread against any landscape element. Commercial Brass Grate provides rugged quality without compromising aesthetic design, while the lens retainer clip holds designer lenses to create a variety of beam spreads. The featured patented stainless steel gimble ring holds the lamp in place while allowing vertical and horizontal adjustments within the composite body.

Terra Therma Composite Housing Construction

Cast Brass Debris Guard

Cast Brass Debris Guard

In Ground Mount

Includes Full Lens Kit and Hex Louver

Use of other manufacturers' components and power management system materials will void warranty, listing, and present a possible safety hazard. Please use caution when specifying lamps by selecting the proper voltage, base type, and wattage lamp when designing and installing any lighting system.

UPC #:785652173233

Finish: Weathered Brass (147)

Replacement Bulb Data:

Product #	Type	Base	Watts	Watts Consumed	Volts	Hours	Lumens	Temp (°K)	CRI

97066		Par36	screw terminal	35	35	24v	4000	30	3050	
-------	--	-------	----------------	----	----	-----	------	----	------	--

Shipping Information:

Package Type	Product #	Quantity	UPC	Length	Width	Height	Cube	Weight	UPS Ship
Individual	91071-147	1	785652173233						Yes