



Job Name:

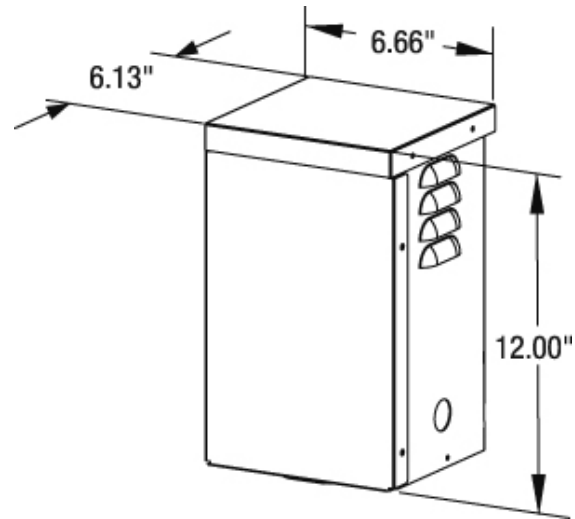
Job Type:

Comments:

Quantity:

### 93277-98: 600w Multi-Matic 12v Transformer

### Specification Images:



**Collection:** Multi-Matic Series

The MULTI-MATIC multi-tap transformer is truly unique by compensating for voltage drop and allowing for installation of up to eight different voltage taps.

Maximum Wattage: 600w

Primary Output: 120v

Secondary Output Taps: 12v, 13v, 14v, 15v, 16v, 17v

Secondary Fuse & Lug

Isolated single core construction.

Stainless steel (304 gauge) enclosure with lockable hinged door and lid with gasketed weather seal.

Primary and secondary fuse protection with oversized color coded aluminum lug terminals ideal for multiple connections at each tap.

Unique multi-output design provides greater voltage drop control and affords up to 800 ft wire runs.

6 ft power cord.

Photocell and timer ready with knock-outs for conduit.

Use of other manufacturers' components and power management system materials will void warranty, listing, and present a possible safety hazard. Please use caution when specifying lamps by selecting the proper voltage, base type, and wattage lamp when designing and installing any lighting system.

**UPC #:**785652915116

**Finish:** Brushed Stainless (98)

### Dimensions:

**Width:** 6 11/16"

**Extends:** 6 5/32"

**Height:** 12"

**Wire:** 72" (color/Black)

### Material List:

1 Construction - Stainless Steel - Brushed  
Stainless

### Safety Listing:

cETL Listed for Wet Locations

### Shipping Information:

Package Type	Product #	Quantity	UPC	Length	Width	Height	Cube	Weight	UPS Ship
Individual	93277-98	1	785652915116						Yes